



INSTRUCTION FOR USE INSTRUÇÕES PARA UTILIZAÇÃO MODE D'EMPLOI

**REFRIGERATION
REFRIGERAÇÃO
RÉFRIGÉRATION**

PLEASE READ THE INSTRUCTIONS CONTAINED HEREIN CAREFULLY AND BE SURE TO FOLLOW THE GUIDELINES GIVEN. PAGE 5-10

LEIA CUIDADOSAMENTE AS INSTRUÇÕES CONTIDAS NESTE DOCUMENTO E ASSEGURE-SE QUE SEGUE AS DIRECTRIZES QUE LHE SÃO DADAS.
PÁGINAS 10-14

VEUILLEZ LIRE SOIGNEUSEMENT CE MODE D'EMPLOI ET ASSUREZ-VOUS DE SUIVRE LES INDICATIONS DONNÉES. PAGE 14-18

Keep this booklet in a safe place. Please refer to the Rating Plate on the inside of the fridge for the necessary warranty information. DO NOT remove or tamper with the Rating Plate – this will invalidate your warranty.

Guarde a este folheto em lugar seguro. Consulte a Placa de Especificações dentro do frigorífico para a necessária informação sobre a garantia. NÃO remova nem interfira com a Placa de Especificações – se o fizer torna inválida a sua garantia.

Gardez cette brochure dans un endroit sûr. Veuillez vous référer à la plaque signalétique qui se trouve à l'intérieur du frigidaire pour les informations relatives à la garantie. N'enlevez PAS ou Ne falsifiez PAS la plaque signalétique – ceci qui annulerait votre garantie.

PRODUCT RANGE – ENERGY EFFICIENCY TABLE
LISTA DE PRODUTOS – TABELA DE EFICIENCIA ENERGÉTICA
RANG DU PRODUIT – TABLEAU DE RENDEMENT D'ÉNERGIE

Appliance Configuration Configuração do aparelho Configuration de l'Appareil	Model Modelo Modèle	Energy Efficiency Class Classe de eficiência energética Catégorie de capacité de l'Énergie	Energy Consumption [kWh/year] Consumo de Energia [kWh/ano] Consommation de l'Énergie [kWh/an]	Fridge Capacity (L) Capacidade do frigorífico (L) Capacité du Frigidaire (L)	Freezer Capacity (L) Capacidade do Congelador (L) Capacité du Congélateur (L)	Climatic Class Classe climática Catégorie climatique
Chest Freezer/ Arca congeladora/ Coffré du Congélateur	KCG210/1	B	387		207	ST
Chest Freezer/ Arca congeladora/ Coffré du Congélateur	KCGT 210/1	A	295		207	T
Chest Freezer/ Arca congeladora/ Coffré du Congélateur	KCG300/1	B	452		285	ST
Chest Freezer/ Arca congeladora/ Coffré du Congélateur	KCG450/1	B	536		424	N
Chest Freezer/ Arca congeladora/ Coffré du Congélateur	KCG570/1	B	627		543	N
Top Freezer/ Compartimento congelador superior/ Congélateur Supérieur	KTF518/1	B	375	116	54	ST
Top Freezer/ Compartimento congelador superior/ Congélateur Supérieur	KTF523/1	A	302	150	65	ST
Top Freezer/ Compartimento congelador superior/ Congélateur Supérieur	KTF528/1	A	307	190	65	N
Bottom Freezer/ Compartimento congelador inferior/ Fond du Congélateur	KBF525/1	A	317	167	72	ST
Bottom Freezer/ Compartimento congelador inferior/ Fond du Congélateur	KBF630/1 KBF630/2 KBF631	A	341	193	83	ST
Bottom Freezer/ Compartimento congelador inferior/ Fond du Congélateur	KBF634/1 KBF634/2 KBF635	A	358	231	83	ST
Bottom Freezer/ Compartimento congelador inferior/ Fond du Congélateur	KBF638/1 KBF638/2 KBF639	A	388	231	113	ST

CLIMATIC CLASS TEMPERATURE RANGES
CLASSE CLIMÁTICA VARIAÇÕES DE TEMPERATURA
ALIGNEMENT CLIMATIC CLASSIFICATION DE TEMPERATURE

Climatic Class Classe Climática Classification C climatique	Ambient Temperature (C°) Temperatura Ambiente (C°) Température Ambiente (C°)	Ambient Temperature (F°) Temperatura Ambiente (F°) Température Ambiente (F°)
SN	From 10 to 32/ De 10 a 32/ De 10 à 32	From 50 to 90/ De 50 a 90/ De 50 à 90
N	From 16 to 32/ De 16 a 32/ De 16 à 32	From 61 to 90/ De 61 a 90/ De 61 à 90
ST	From 16 to 38/ De 16 a 38/ De 16 à 38	From 61 to 100/ De 61 a 100/ De 61 à 100
T	From 16 to 43/ De 16 a 43/ De 16 à 43	From 61 to 110/ De 61 a 110/ De 61 à 110

DIAGRAM - DIAGRAMA - SCHÉMA

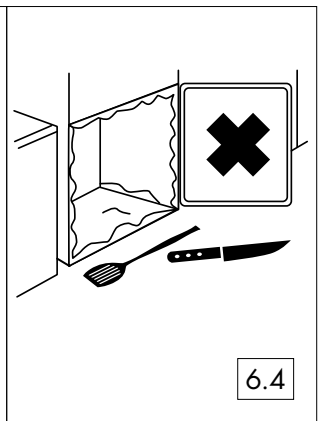
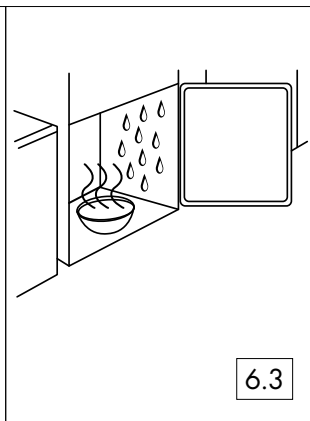
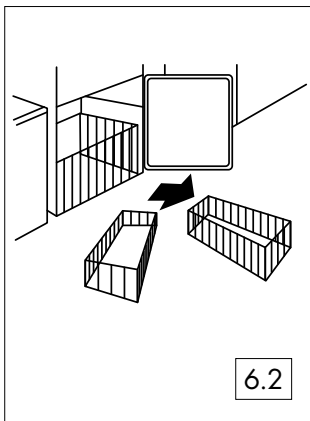
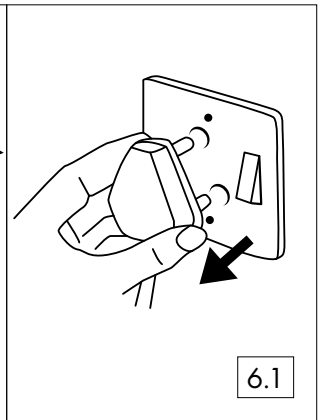
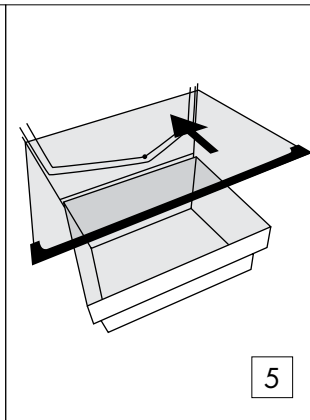
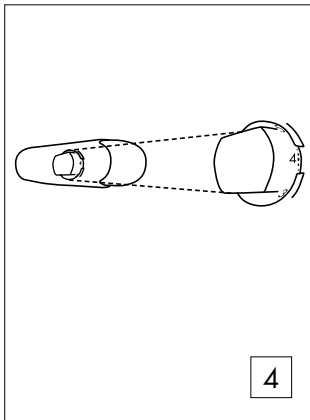
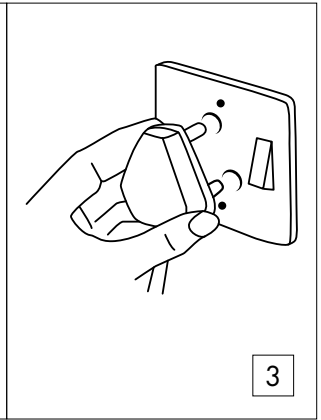
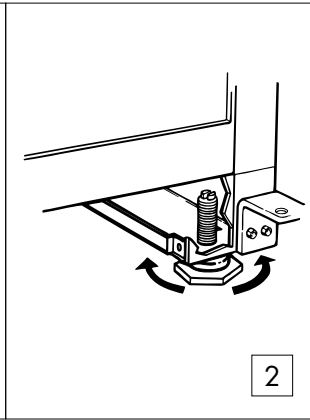
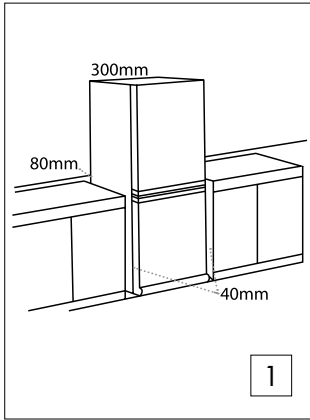
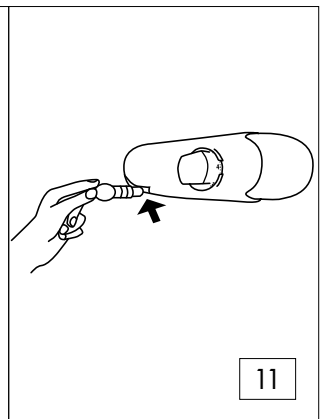
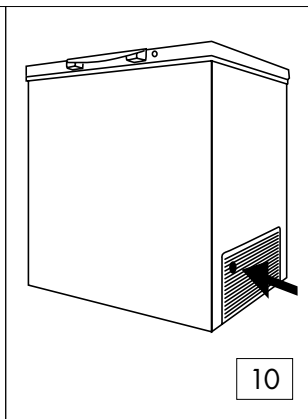
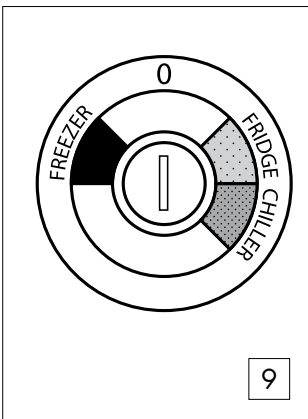
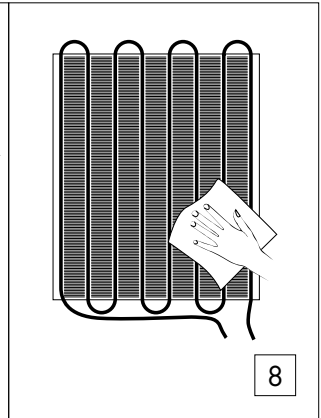
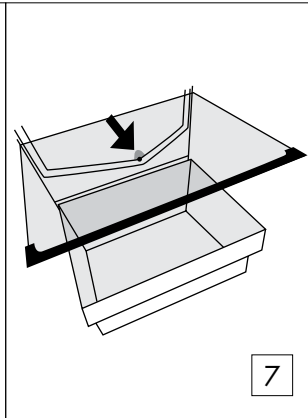
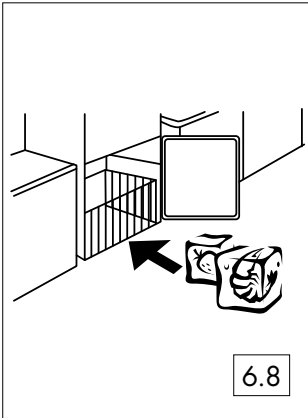
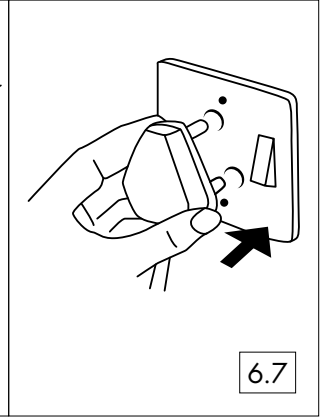
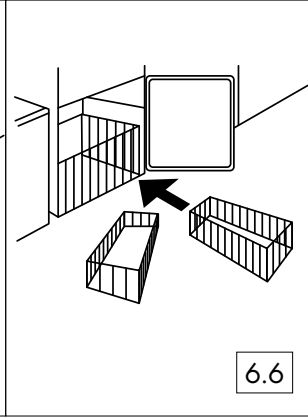
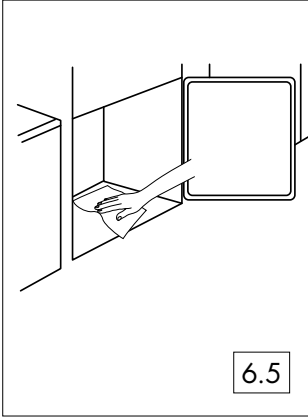


DIAGRAM - DIAGRAMA - SCHÉMA



BEFORE USING THE APPLIANCE

Appliances with Isobutane (R600a): Isobutane is a natural gas that has no negative impact on the environment, but is flammable. Therefore, make sure the refrigerant circuit pipes are not damaged.

DO NOT damage the appliance refrigerant circuit pipes.

This appliance is not intended for use by persons (including children) with reduced physical, sensory or mental capabilities, or lack of experience and knowledge, unless they have been given supervision or instruction concerning use of the appliance by a person responsible for their safety.

Children should be supervised to ensure that they do not play with the appliance.

OPERATION SAFETY HINTS

- Do not splash water onto the appliance.
- Do not store food or drinks in glass bottles in the freezer compartment.
- Do not operate the unit next to flammable gases.
- Do not store corrosive chemicals or liquids in the unit.
- Do not use flammable sprays near the unit when it is in operation.
- Do not put volatile chemicals such as ether and benzene in the refrigerator.
- Do not use or place electrical devices inside the appliance compartments if they are not of the type expressly authorized by the Manufacturer.

Follow the instructions for installation, looking after, cleaning, operating and defrosting your appliances.

If you are going to store ice in the freezer section in a different container to those supplied, please make sure the container is sealed.

To prevent foods from drying and odours accumulating in your appliance, ensure that they are sealed in air-tight containers before loading.

When transporting your refrigerator or chest freezer ensure the unit remains in an upright position – DO NOT lie it on its side.

INSTALLATION INSTRUCTIONS

Your refrigerator must be positioned with sufficient ventilation on all sides. The following ventilation spaces are recommended (refer to diagram 1):

300mm	Above
80mm	Behind
40mm	Each Side

It is advisable to make sure that your appliance is placed on a level floor. This can be done by adjusting the leveling feet which are found under the refrigerator in both the right and left front corners (refer to diagram 2).

Ensure that your refrigerator is tilted backwards (by adjusting the front feet) to assist with closing of the door. The door will NOT close unassisted, i.e., it is not a self-closing door.

When installing the Chest Freezer; stand the unit in a well-ventilated area. This unit is not suitable for a built-in installation.

Where possible keep the appliance away from direct sunlight and other sources of heat, e.g., ovens, hobs, stoves.

DO NOT place your appliance near damp areas, as this can affect the cabinet's insulation.

DO NOT operate the appliance next to flammable gases, or expose it to any corrosive or flammable chemicals. DO NOT store any of these in your refrigerator.

It must be possible to disconnect the appliance from the power supply by unplugging it.

HOW TO OPERATE YOUR REFRIGERATOR

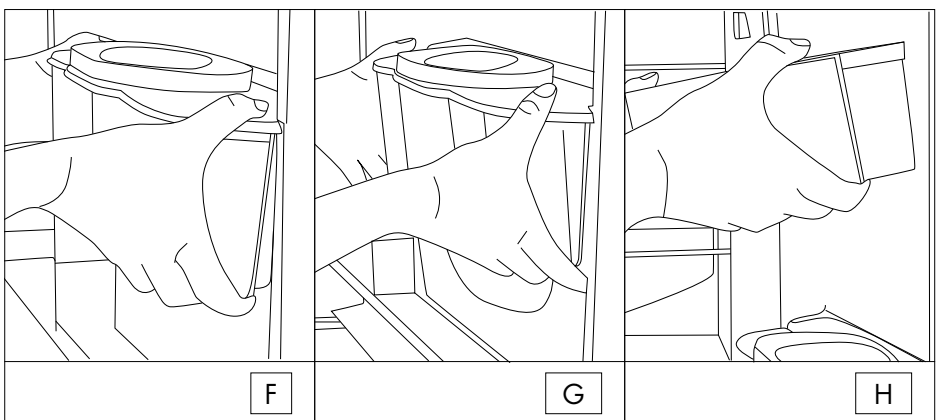
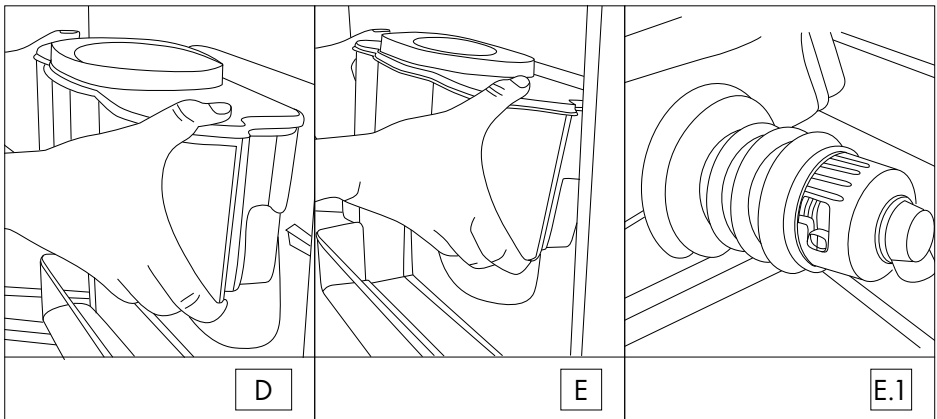
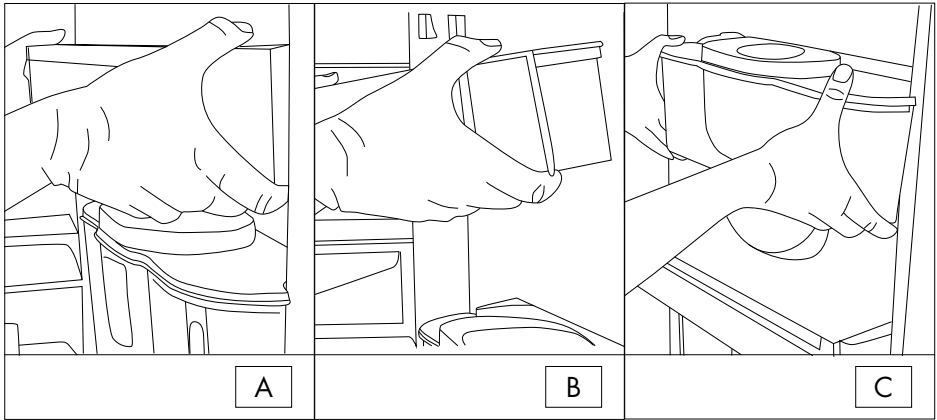
- First confirm that your power supply matches the required specifications. Plug the appliance into an earthed 220V – 240V 15A plug socket and switch it on. Make sure to use an independent plug point without power interruptions (refer to diagram 3).
- Should you need to lengthen the power cord; be sure to use a three-core cable that does not exceed 1.5 meters.
- Set the adjustable thermostat at a setting of between 1 and 7 (thermostat/housing assembly) (refer to diagram 4).
- The refrigerator must be run for 24 hours before placing food in it.
- Stock your appliance and adjust the temperature if necessary (1 being the warmest and 7 being the coldest).
- Do not allow any article to touch the inner back panel of the fridge (refer to diagram 5).
- The recommended temperature setting is '4'. Adjusting this temperature to a colder than recommended setting will not cool the compartments any faster. If you add food before the refrigerator has cooled completely, your food may spoil.

If the supply cord is damaged, it must be replaced by the manufacturer or its service agent or a similarly qualified person in order to avoid a hazard.

HOW TO REMOVE AND REPLACE THE WATER TANK

- Remove the balcony positioned above the water tank (refer to diagram A).
- Simply lift up and out (refer to diagram B).
- Grip the water tank on both ends (refer to diagram C).
- Keeping the fridge door still, tilt the base of the water tank up slightly and pull up and out. The first couple of times will feel stiff, this will loosen over time (refer to diagram D).

DIAGRAM - DIAGRAMA - SCHEMA



- Tilt the water tank with the lid towards the fridge door, placing the valve (refer to diagram E.1) in the designated hole (refer to diagram E).
- Push the water tank into place (refer to diagram F).
- Ensure the water tank is firmly in place; if it is not the water will leak (refer to diagram G).
- Replace the balcony above the water tank (refer to diagram H).

DEFROSTING YOUR FREEZER

Defrosting should be done a minimum of 3 times per year, depending on:

- the freezer's location and humidity of the surrounding area;
- the product usage, i.e., how often the door is opened and how long it is kept open;
- the build-up of ice on the freezer coils.

How to Defrost Your Freezer

(refer to diagrams 6.1 - 6.8)

- Disconnect the power supply.
- Remove all food, baskets and other loose fittings from the freezer.
- Leave the freezer door open and place a plastic bowl of hot water inside the freezer to speed up the defrosting process.
- **IMPORTANT** – do not chip or hack at the built-up ice with a sharp, plastic nor metal, tool.
- When the ice has melted and the water removed, clean and dry the freezer section.
- Replace all loose fittings.
- Reconnect the power supply and allow appliance to operate for approximately 2 hours before stocking.
- Stock the freezer with food.

DO NOT use mechanical, electric or chemical means other than those recommended by the Manufacturer to speed up the defrost process.

HOW TO CLEAN & LOOK AFTER YOUR REFRIGERATOR

Always unplug the power source before cleaning. Turning the thermostat to "0" will not switch the power off.

- Keep the inside and outside of your appliance clean to prevent bacteria and odours from forming.
- Before disconnecting the power source and cleaning the interior compartment, remove all food from the refrigerator.
- Use a soft sponge or soft cloth. Do not use metallic scouring pads, brushes, or abrasive cleaners or alkaline solutions.
- On installation and when defrosting use a mild household cleaner or 2 tablespoons bicarbonate of soda diluted in 250ml of warm water to clean your fridge/freezer in the following manner:

Interior

- DO NOT allow water to penetrate the light bulb and thermostat housing (refer to diagram 4).
- Clean all the fittings in the refrigerator – loose shelves, baskets, etc.
- Rinse with warm water and dry.
- Note: Always ensure that the gutter, inside the cabinet at the back is clean (refer to diagram 7). This can be done by pouring a cup of lukewarm water into the gutter. If the water does not drain away then contact your nearest Service Centre for further instructions.

Exterior

- Clean with a non-abrasive detergent solution.
- Brush the condenser (the panel at the back) to prevent dust build-up that could affect the refrigerator's performance (refer to diagram 8).

CHEST FREEZERS

Setting the Vari-Freezer Thermostat

This appliance is designed to operate in 3 ways: either as a refrigerator, a chiller or a freezer. To set the Vari-Freezer Thermostat to your specific requirement, simply adjust the knob using a screwdriver or coin to the appropriate setting (refer to diagram 9). The temperature in the cabinet can be adjusted by turning the knob slightly to the left or right in each function sector, left to decrease the temperature (warmer) and right to increase the temperature (colder). The Vari-Freezer control can be found on the side of the unit next to the vent (refer to diagram 10).

Using the Unit as a Refrigerator

At the refrigerator setting on the dial, the temperature in the cabinet can range from -2°C to 5°C depending on whether the unit is empty or packed. This temperature is ideal for storing perishable foods such as dairy products, fresh vegetables, cold meats and left-overs. Beverages can also be stored at this temperature to ensure that they are cool when served.

Using the Unit as a Chiller

At the chiller setting on the dial, the unit may be compared with a butcher's cold storage facility. The temperature in the cabinet can range from -4°C to -12°C depending on whether the unit is empty or packed. The advantage is that the food can be cooked without first defrosting. Food stored at the chiller setting will not release water and will keep its natural fibre. Sometimes, it is undesirable to freeze a fine cut of meat, as some of its flavour would be lost during freezing. At the chiller setting the meat could be cooked as though it were fresh and portions could be removed without defrosting, while the balance could be stored for use on another occasion.

Using the Unit as a Freezer

At the freezer setting on the dial, the temperature can range from -18°C to -23°C depending on whether the unit is empty or packed. This setting is ideal for storing frozen food for long periods of time. Refer to the Freezing Guide on the inside of the Chest Freezer lid.

This Product is Designed for Domestic Use Only

If the unit is used as a freezer, it will require periodic defrosting (see the section on defrosting). During the refrigerator or chiller operation, there could be a gradual build-up of condensation (water droplets) on the cabinet floor. This is normal and the water should be sponged up and removed whenever it becomes excessive. Note: the cabinet requires defrosting before switching from freezer to refrigerator or chiller option.

GUIDE FOR FREEZER STORAGE

- **OPERATE THE FREEZER FOR 24 HOURS BEFORE LOADING.**
- If you are loading bulk into the freezer, load one quarter at a time and allow to freeze before loading the next quarter.
- Divide food into reasonable portions according to your requirements.
- Allow food to cool before putting it into the freezer.
- Seal all food, or place in air-tight containers to help prevent dehydration.
- Remember the freezer guide on the inside door panel of the freezer – Do Not Exceed the Expiry Date.

PROBLEM SOLVING

NOT EVERY PROBLEM REQUIRES A TECHNICIAN

If however, after going through the following checklist, you are still not satisfied with the running of your appliance, please call your nearest KIC Contact Centre (see back cover).

If the Refrigerator is Not Cold Enough

- Check the door is closing properly.
- Adjust the temperature control.
- Make sure the power supply is connected and switched on.
- Check the main household circuit board to ensure the circuit breaker has not tripped.
- Ensure the appliance is located away from the direct sunlight and heat sources, i.e., oven, hob, stove, etc.
- Ensure the appliance is defrosted regularly.
- Check over-crowded shelves are not blocking air circulation.

If the Refrigerator is Excessively Noisy

- Check the spacing around the appliance.
- Adjust the feet until the appliance is standing firm and level.
- Check the pipes at the back of the refrigerator may be touching each other or the wall.
- Please Note: it is normal to hear refrigerant/gas noises during normal operation, such as
 - Pulsating - compressor adjusting to optimize performance.
 - Hissing/Rattling - flow of refrigerant or from items placed on top of the refrigerator.
 - Sizzling/Gurgling - water dripping on the heater during defrost cycle.
 - Popping - contraction/expansion of inside walls, especially during initial cool-down.
 - Water running - may be heard when ice melts during the defrost cycle and water runs into the drain pan.

If There is Water Collecting at the Bottom of the Refrigerator

- Check that no item of food is touching the rear panel of the refrigerator.
- Ensure that the gutter drain is clear.
- Ensure that the refrigerator is tilted backwards to assist with closing of the door. The door will not close unassisted.

If There is Interior Moisture Build-up

NOTE: some moisture build-up is normal.

- A humid room contributes to moisture build-up.
- Door(s) opened often or left open allows humid air to enter the refrigerator. Minimize the number of door openings and keep doors fully closed.

If the Light is Not Working

- Check the electrical power supply is connected and switched on.
- The bulb may be loose or blown.

Replacing the Lamp Bulb

- Switch the power off at the wall.
- Unplug the power cord at the wall socket.
- Unscrew (anti-clockwise) and replace the bulb with a new one (not exceeding 15 watt).
- It is recommended that you do not attempt to remove the thermostat housing or alter the wiring yourself.
- (refer to diagram 11).

ENERGY SAVING TIPS

- Install the appliance in a dry, well-ventilated area away from any heat source (eg. stove) and in a place not exposed to direct sunlight.
- To guarantee adequate ventilation, leave a space on both sides and above the appliance.
- The distance between the rear of the appliance and the wall behind the appliance should be 80mm.
- Insufficient ventilation on the back of the product increases energy consumption and decreases cooling efficiency.
- The internal temperatures of the appliance may be affected by the ambient temperature, the frequency of opening the doors, as well as the location of the appliance. The temperature setting should take these factors into consideration.

- Allow warm food and drinks to cool before placing into the appliance.
- Always check that the doors are closed properly after opening, especially the freezer door.
- Minimise the frequency of opening the doors
- When thawing frozen food, place it in the refrigerator compartment. The low temperature of the frozen food assists the cooling of the food in the refrigerator compartment.
- Positioning of the shelves in the refrigerator has no impact on the energy consumption.
- Food should be placed on the shelves in such a way to ensure proper air circulation. (Food should not touch each other and the distance between food and the rear wall of the fridge compartment should be maintained.)
- You can increase the storage capacity of the freezer compartment by removing the freezer baskets.
- The condenser (the coil placed at the rear of the appliance) should be cleaned regularly.
- Damaged or leaky gaskets should be replaced as soon as possible.

WARRANTY

DURATION & COVERAGE

KIC offers a full warranty service from the date of original retail purchase, supported by a qualified and committed network of Service Partners nationwide. Any functional part which fails in normal home use will be repaired or replaced, after a full assessment has been carried out by an Authorised Service Partner, free-of-charge including the part itself and labour costs. Evidence of the purchase (receipt), Model Number and Serial Number are required to obtain a free warranty service.

WARRANTY PERIOD

The following countries carry a 2-year warranty:

South Africa	Swaziland
Botswana	Lesotho
Namibia	

The following countries carry a 1-year warranty:

Zambia	Uganda	Burundi
Zimbabwe	DR Congo	Madagascar
Mozambique	Rep. of Congo	Seychelles
Angola	Gabon	Mauritius
Malawi	Equatorial Guinea	Mayotte
Tanzania	Nigeria	Comoros
Kenya	Rwanda	Cameroon

WARRANTY EXCEPTIONS

Conditions and damages resulting from any of the following cases:

- Improper installation, delivery or maintenance (i.e., pump filter cleaning);
- Any repair, modification, alteration, or adjustment not authorized by the Manufacturer;
- Misuse, abuse, accidents or unreasonable use;
- Incorrect electric current, voltage or supply;
- Damages due to voltage fluctuations or lightning;
- Improper settings of any control;
- Product previously repaired by non-authorized Service Partner.

Damage on aesthetic components due to transport and movement (i.e., dents, scratches) are not covered by warranty.

Aesthetic components (i.e., handles, lamps, glass, plastics).

Light bulbs, water filter air filter, carbon filter, rubber hoses.

Accessories and glass made optional (i.e., shelves, plates).

Products used for non-domestic purpose or located in commercial environment (i.e., restaurants, hotels, hairdressers, laundry shops, butcher shops and garage).

Installation cost (i.e., water, power and gas connection).

Where a product has been returned due to incorrect information furnished by the dealer regarding the features and use of the product.

Assistance or service call to:

- Correct any improper installation;
- Instruct the consumer on proper product usage;
- Transport appliance to the service workshop;
- No failure found (in case of functional failures claimed by the consumer and not found during technician check, the repair will be charged to the consumer);
- Periodic maintenance or the cleaning of water filter, pump filter and air duct filter;
- Removal of transport support or fixation screws;
- Settle of feet and setting of gas nozzles.

Cost of the above-mentioned service call will be charged to the consumer.

In no event shall KIC be liable for any consequential, either direct or indirect, damages whether foreseeable or unforeseeable, resulting from improper usage or maintenance of the appliance as well as for any damages consequently to the non-observance of the appliance's instruction for use.

After the warranty period, all repairs will be completely charged to the consumer.

DISPOSAL INSTRUCTION

C-Pentane is used as blowing agent in the insulation foam and it is a flammable gas. Pay special attention during disposal operations.

Whilst every effort has been made to ensure that the information contained herein is correct, KIC cannot be held responsible for any errors or omissions.

PT

ANTES DE USAR O ELETRODOMÉSTICO

Electrodomésticos com Isobutano (R600a): o Isobutano é um gás natural que não tem qualquer impacto negativo sobre o meio ambiente, mas que é inflamável. Assim sendo, certifique-se que os tubos do circuito de refrigeração não são danificados.

NÃO danifique os tubos do circuito de refrigeração do electrodoméstico.

Este electrodoméstico não se destina a ser utilizado por pessoas (incluindo crianças) com capacidades físicas, sensoriais ou mentais reduzidas, ou com falta de experiência ou conhecimentos, a não ser quando supervisionadas ou quando recebam instruções relevantes ao uso do electrodoméstico dadas por uma pessoa responsável pela sua segurança.

As crianças devem ser supervisionadas para assegurar que não brincam com o electrodoméstico.

SUGESTÕES DE SEGURANÇA PARA A UTILIZAÇÃO

- Não deite água sobre o electrodoméstico.
- Não guarde alimentos ou bebidas em garrafas de vidro no congelador.
- Não ponha o aparelho a funcionar próximo de gases inflamáveis.
- Não guarde químicos ou líquidos corrosivos na unidade.
- Não utilize pulverizadores inflamáveis perto da unidade quando estiver a funcionar.
- Não coloque químicos voláteis como éter e benzina no frigorífico.
- Não utilize nem coloque aparelhos eléctricos dentro dos compartimentos do electrodoméstico se não forem do tipo expressamente autorizado pelo Fabricante.

Siga as instruções para instalação, cuidados de limpeza, modo de operar e descongelação dos seus electrodomésticos.

Se tensionar guardar gelo na secção do congelador dentro de um recipiente diferente dos que são providenciados, assegure-se que o recipiente é fechado hermeticamente.

Para evitar que os alimentos fiquem secos e que se acumulem odores no seu electrodoméstico, certifique-se que os mesmos são guardados em recipientes hermeticamente fechados quando os colocar no frigorífico.

Quando transportar o seu frigorífico ou arca congeladora, assegure-se que a unidade permanece na posição vertical – NÃO deite o aparelho de lado.

INSTRUÇÕES PARA INSTALAÇÃO

O seu frigorífico deve ser instalado com ventilação suficiente à sua volta. Recomendam-se os seguintes espaços para ventilação (consulte o diagrama 1):

300mm	de espaço por cima
80mm	de espaço atrás
40mm	de espaço em cada lado

É aconselhável que se certifique que o seu electrodoméstico fique colocado num chão nivelado. Isto consegue-se regulando os pés de ajustamento que se encontram na parte de baixo do frigorífico, nos cantos direito e esquerdo (consulte o diagrama 2).

Certifique-se que o seu frigorífico está inclinado para trás (ajustando os pés na parte dianteira) para ajudar no fecho da porta. A porta NAO fecha sem ajuda, i.e., não se trata de uma porta de fecho automático.

Ao instalar a Arca Congeladora, coloque a unidade numa área bem ventilada. Esta unidade não é adequada para instalação incorporada.

Sempre que possível mantenha o electrodoméstico protegido da luz directa do sol e outras fontes de calor, i.e. fornos, placas de aquecimento e fogões.

NÃO coloque o seu electrodoméstico perto de áreas húmidas, pois isso pode afectar o isolamento do aparelho.

NÃO ponha o electrodoméstico a funcionar próximo de gases inflamáveis nem exposto a quaisquer produtos corrosivos ou químicos inflamáveis. NAO guarde nenhum destes produtos no seu frigorífico.

Deve poder desligar o electrodoméstico da corrente eléctrica, removendo a ficha da tomada.

COMO FUNCIONAR COM O SEU FRIGORÍFICO

- Primeiro confirme que a sua fonte de energia corresponde às especificações requeridas. Introduza a fixa de 15A do electrodoméstico numa tomada para 220V – 240V, com fio de terra. Certifique-se que usa uma tomada independente sem interrupções (consulte o diagrama 3).
- Se precisar de aumentar o cabo eléctrico, certifique-se que usa um cabo de 3 fios e que este não excede 1 metro e meio.
- Regule o termostato ajustável na marca entre 1 e 7 (no acessório onde fica o termostato) (consulte o diagrama 4).
- O frigorífico deve funcionar durante 24 horas antes de colocar alimentos dentro do mesmo
- Coloque os produtos no frigorífico e ajuste a temperatura se for necessário (1 é o mais quente e 7 o mais frio).
- Não permita que nenhum artigo fique em contacto com o painel do fundo interior do seu frigorífico (consulte o diagrama 5).
- A marca recomendada para a temperatura é o '4'. O ajustamento da temperatura para mais frio do que é recomendado, NAO resulta no arrefecimento mais rápido do compartimento. Se colocar alimentos no frigorífico antes de este ter arrefecido completamente, esses alimentos podem estragar-se.

Se o cabo de energia eléctrica se danificar, deverá ser substituído pelo fabricante ou pelo seu agente de serviço ou uma pessoa com qualificações semelhantes para evitar situações de perigo.

COMO REMOVER E SUBSTITUIR O TANQUE DE ÁGUA

- Remover o parapeito posicionado sobre o tanque de água (consultar o diagrama A).
- Basta levantar e remover (consultar o diagrama B).
- Segure o tanque de água em ambas as extremidades (contulte o diagrama C).
- Mantendo a porta do frigorífico segura, empurre a base do tanque de água ligeiramente para cima e puxe para cima e para fora. Nas primeiras vezes este processo será um pouco mais difícil mas com o tempo torna-se mais fácil (consulte o diagrama D).
- Incline o tanque de água com a tampa no sentido da porta do frigorífico, colocando a válvula (consulte o diagrama E.1) no orifício designado (consulte o diagrama E).
- Empurre o tanque de água para a sua posição (consulte o diagrama F).
- Certifique-se que o tanque de água está colocado com firmeza na sua posição, pois se não estiver haverá fuga de água (consulte o diagrama G).
- Reponha o parapeito sobre o tanque de água (consulte o diagrama H).

DESCONGELAMENTO DO CONGELADOR

O descongelamento deve ser feito no mínimo três vezes ao ano, dependendo de:

- onde estiver colocado e da humidade na área em redor;
- a utilização do aparelho, i.e., com que frequência é aberta a porta e por quanto tempo é mantida aberta;
- acumulação de gelo nas espirais do congelador.

Como descongelar o congelador

(consulte os diagramas 6.1 a 6.8)

- Desligue o aparelho da corrente.
- Remova todos os alimentos, cestas e outros acessórios amovíveis do congelador.
- Deixe a porta do congelador aberta e coloque uma bacia de plástico com água quente dentro do congelador para acelerar o processo de descongelação.
- **IMPORTANTE** – não quebre o gelo que se possa ter acumulado com instrumentos aguçados, de plástico ou de metal.
- Quando o gelo tiver derretido e depois de remover a bacia de água, limpe e seque a secção do congelador.
- Reponha todos os acessórios amovíveis.
- Volte a ligar o aparelho à corrente e deixe que funcione por aproximadamente 2 horas antes de o voltar a encher.
- Coloque os alimentos no congelador.

NÃO use meios mecânicos, eléctricos ou químicos para além dos recomendados pelo Fabricante, para acelerar o processo de descongelação.

COMO LIMPAR E CUIDAR DO SEU FRIGORÍFICO

Desligue sempre o aparelho da corrente antes de o limpar. Se colocar o termóstato na marca "0" não vai cortar o abastecimento de corrente eléctrica.

- Mantenha o interior e o exterior do seu eletrodoméstico limpos para impedir a formação de bactérias e odores.
- Antes de desligar o aparelho da corrente e de limpar o compartimento interior, remova todos os alimentos do frigorífico.
- Use uma esponja ou um pano macio. Não use esfregões metálicos, escovas, produtos abrasivos ou soluções alcalinas.
- Quando instalar ou quando descongelar, use um produto de limpeza suave ou 2 colheres de mesa de bicarbonato de sódio diluído em 250ml de água morna para limpar o seu frigorífico/congelador da seguinte forma:

Interior

- NÃO permita que penetre água na lâmpada nem no acessório do termóstato (consulte o diagrama 4).
- Limpe todos os acessórios do frigorífico – Prateleiras amovíveis, cestas, etc.
- Lave com água morna e seque.
- Nota: Certifique-se sempre que a calha, dentro do frigorífico na parte de trás, está limpa (consulte o diagrama 7). Isto pode fazer-se vertendo uma chávena de água morna na calha. Se a água não escorrer, contacte o Centro de Serviço mais próximo para obter instruções.

Exterior

- Limpe com uma solução detergente não abrasiva.
- Escove o condensador (o painel na parte traseira) para impedir a acumulação de poeira que pode afectar o desempenho do frigorífico (consulte o diagrama 8).

ARCAS FRIGORÍFICAS

Fixação do Termóstato Vari-Freeze

Este electrodoméstico foi concebido para operar de 3 formas: como frigorífico, câmara frigorífica ou congelador. Para regular o Termóstato Vari-Freeze segundo os seus requisitos especiais, basta ajustar o botão com uma chave de fendas ou uma moeda na marca adequada (consulte o diagrama 9). A temperatura no aparelho pode ser ajustada rodando o botão ligeiramente para a esquerda ou para a direita em cada sector de função, esquerda para elevar a temperatura (para mais quente) e para a direita para baixar a temperatura (para mais frio). O controlo Vari-Freeze encontra-se no lado da unidade junto ao respirador (consulte o diagrama 10).

Utilização da Unidade como Frigorífico

Na marca de Frigorífico no mostrador, a temperatura no aparelho pode oscilar entre os -2°C e os 5°C dependendo da unidade estar vazia ou carregada. Esta temperatura é ideal para guardar alimentos perecíveis como produtos lácteos, vegetais frescos, carnes frias e restos. As bebidas podem também ser guardadas a esta temperatura para assegurar que estejam geladas quando forem servidas.

Utilização da Unidade como Câmara Frigorífica

Na marca Câmara Frigorífica no mostrador, a unidade pode ser comparada a um frigorífico de talho. A temperatura no aparelho pode oscilar entre -4°C e os -12°C dependendo da unidade estar vazia ou carregada. A vantagem é que os alimentos podem ser cozinhados sem ter primeiro de os descongelar. Alimentos guardados na marca Câmara Frigorífica não libertam água e mantêm a sua fibra natural. Por vezes, não pretendemos que um pedaço de carne fique congelado, visto que parte do seu gosto se perderá no processo de congelação. Na marca de Câmara Frigorífica a carne pode ser cozinhada como se fosse acabada de comprar e podem separar-se as porções sem precisar de descongelar, enquanto que o restante pode ser guardado para outra ocasião.

Utilização da Unidade como Congelador

Na marca de Congelador no mostrador, a temperatura poder oscilar entre os -18°C e os -23°C dependendo da unidade estar vazia ou carregada. Esta posição é ideal para armazenar alimentos congelados durante longos períodos de tempo. Consulte o Guia do Congelador no interior da tampa da Arca Frigorífica.

Este Produto foi Concebido Apenas para Uso Doméstico

Se a unidade for usada como Congelador, vai requerer descongelamento periódico (consulte a secção sobre descongelamento). Durante o processo de funcionamento como Frigorífico ou como Câmara Frigorífica, pode verificar-se uma acumulação gradual de condensação (gotas de água) no fundo interior do aparelho. Isto é normal e a água poder ser removida com uma esponja quando a acumulação for excessiva. Nota: o interior do aparelho requer descongelamento antes de mudar para a opção de Congelador ou Frigorífico ou Câmara Frigorífica.

GUIA PARA ARMAZENAMENTO EM CONGELADOR

- **DEIXE O CONGELADOR FUNCIONAR DURANTE 24 HORAS ANTES DE O CARREGAR.**
- Se pretender fazer grandes carregamentos no congelador, carregue 25% do volume pretendido e deixe congelar antes de carregar os próximos 25%.
- Divida os alimentos em porções razoáveis e de acordo com os seus requisitos.
- Deixe que os alimentos arrefeçam antes de os colocar no congelador.
- Vede todos os alimentos ou coloque-os em recipientes herméticos para evitar a desidratação.
- Lembre-se do guia para Congelador no painel interior da porta do aparelho – Não Exceda os Prazos de Validade.

RESOLUÇÃO DE PROBLEMAS

NEM TODOS OS PROBLEMAS REQUEREM INTERVENÇÃO DE UM TÉCNICO

Se contudo, após ter seguido as seguintes listas de verificação, ainda não estiver satisfeito com o funcionamento do seu electrodoméstico, então contacte o Centro de Atendimento KIC mais próximo de si (ver no reverso)

Se o Frigorífico Não Estiver Suficientemente Frio

- Verifique se a(s) porta(s) fecham hermeticamente.
- Ajuste o controlo de temperatura.
- Certifique-se que a fixa está inserida na tomada e a mesma ligada à corrente.
- Verifique o quadro eléctrico principal da casa para se certificar que nenhum interruptor esteja desligado.
- Certifique-se que o electrodoméstico está situado longe da luz direta do sol e de fontes de calor, i.e., forno, placa de aquecimento, fogão, etc.
- Certifique-se que o electrodoméstico é descongelado regularmente.
- Verifique se as prateleiras não estão sobrecarregadas e a bloquearem a circulação do ar.

Se o Frigorífico for Excessivamente Ruidoso

- Verifique o espaço em redor do electrodoméstico.
- Ajuste os pés até que o electrodoméstico se apresente firme e nivelado.
- Verifique se os tubos na retaguarda não estão a tocar uns nos outros ou na parede.
- Atenção: é normal ouvir ruídos do frigorífico/gás durante o seu período normal de funcionamento, como o Vibração - compressor a ajustar-se para otimizar o desempenho.
 - o Sibilação/Chocalho – fluxo da refrigeração ou ruído de itens colocados no topo do frigorífico.
 - o Chiadeira/Gorgolejo – água a pingar no calefator durante o ciclo de descongelação.
 - o Estalos – contracção/expansão das paredes interiores, particularmente durante o arrefecimento inicial.
 - o Água a correr – pode ouvir-se quando o gelo derrete durante o ciclo de descongelação, quando a água corre para o compartimento de drenagem.

Se Oouver uma Acumulação de Água no Fundo do Refrigerador

- Verifique que nenhum alimento esteja a tocar no painel de fundo do frigorífico.
- Assegure-se que a goteira do dreno está desimpedida.
- Assegure-se que o frigorífico está ligeiramente inclinado para trás a fim de ajudar a porta a fechar. A porta não é de fecho automático.

Se Houver Acumulação de Humidade no Interior

- NOTA: É normal a acumulação de alguma humidade.
- Uma sala húmida contribui para a acumulação de humidade.
 - O abrir a(s) porta(s) com frequência ou deixar a(s) porta(s) aberta(s), permite que ar húmido entre no frigorífico. Minimize o número de vezes que abre a(s) porta(s) e mantenha-a(s) bem fechada(s).

Se as Luzes Não Trabalharem

- Verifique que a ficha está inserida e ligada à corrente.
- A lâmpada pode estar a fazer mau contacto ou estar fundida.

Substituição da Lâmpada

- Remova a ficha da parede.
- Desligue a ficha da tomada na parede.
- Desenrosque (movimento contrário aos ponteiros do relógio) e substitua a lâmpada por outra nova (que não exceda 15 watts).
- Recomenda-se que não tente remover o acessório do termostato nem alterar a instalação eléctrica (consulte o diagram 11).

CONSELHOS PARA POUPAR ENERGIA

- Instalar o aparelho electro doméstico em local seco e bem-ventilado afastado de qualquer fonte de calor (exemplo : fogueira) e sem que esteja exposto a luz solar directa.
- Para assegurar uma ventilação adequada, deixe um espaço de cada um dos lados e por cima do aparelho .
- A distância entre a parte posterior do aparelho e a parede deve ser de 80mm.
- Ventilação inadequada na parte traseira do aparelho aumenta o consumo de energia e diminui a eficiência de refrigeração.
- As temperaturas internas do aparelho podem ser afetadas pela temperatura ambiente, a frequência com que se abrem as portas e a localização do aparelho. O regulamento da temperatura deve tomar esses factores em consideração.
- Aguardar que os alimentos e bebidas arrefeçam antes de os colocar no frigorífico .
- Verificar sempre que as portas estejam devidamente fechadas após serem abertas, especialmente a porta do congelador.
- Reduzir a frequência com que as portas são abertas
- Quando estiver a descongelar qualquer alimento, coloque-o no compartimento frigorífico. A temperatura baixa do alimento congelado contribui para o arrefecimento dos alimentos.
- O posicionamento das prateleiras no frigorífico não tem qualquer impacto no consumo de energia.
- Os alimentos devem ser colocados nas prateleiras de maneira a permitir a circulação do ar. (Os alimentos não devem estar em contacto uns com os outros e deve ser mantida uma distância entre os alimentos e a parede posterior do compartimento frigorífico).
- Pode-se aumentar a capacidade do compartimento congelador retirando os cestos do congelador.
- O condensador (a serpentina colocada na parte posterior do aparelho) deve ser limpo regularmente
- Juntas danificadas ou mal vedadas devem ser substituídas o mais rapidamente possível.

GARANTIA

VALIDADE E COBERTURA

A KIC oferece garantia total de serviço a partir da data original da compra, apoiada por uma rede nacional de Parceiros de Serviço qualificados e empenhados. Qualquer peça funcional que avarie na utilização caseira normal será reparada ou substituída, depois de ter sido levada a cabo uma avaliação completa por um Parceiro Autorizado de Serviço, gratuitamente, incluindo a própria peça e os custos do trabalho. Prova da aquisição (recibo), Número do Modelo e Número de Série são necessários para obter o serviço de garantia gratuitamente.

PERÍODO DA GARANTIA

Os seguintes países oferecem uma garantia de 2 anos:

África do Sul	Suazilândia
Botswana	Lesoto
Namíbia	

Os seguintes países oferecem uma garantia de 1 ano:

Zâmbia	Uganda	Burundi
Zimbábue	R. Democrática do Congo	Madagáscar
Moçambique	República do Congo	Seychelles
Angola	Gabão	Maurícias
Malawi	Guiné Equatorial	Mayotte
Tanzânia	Nigéria	Ilhas Comoros
Quênia	Ruanda	Camarões

EXCEPÇÕES DA GARANTIA

Condições e Danos resultantes de uma das seguintes causas

- Inadequada instalação, entrega ou manutenção (i.e., limpeza do filtro da bomba);
- Qualquer reparação, alteração ou ajuste não autorizado pelo Fabricante;
- Utilização inadequada, abuso, acidentes ou utilização insensata;
- Corrente eléctrica, voltagem ou energia incorrectas;
- Danos causados por flutuações da voltagem ou descargas eléctricas da trovoadas;
- Fixação inadequada de qualquer controlo;
- Produtos previamente reparados por Parceiros de Serviço não autorizados.

Danos em componentes estéticos devido ao transporte e deslocação (i.e., amolgadelas, riscos) não são cobertos pela garantia.

Componentes estéticos (i.e., puxadores, luzes, vidros e plásticos).

Lâmpadas, filtro de água, filtro de ar, filtro de carbono, tubos de borracha.

Acessórios e produtos de vidro opcionais (i.e., prateleiras, pratos).

Produtos usados para propósitos não-domésticos ou situados em meio ambiente comercial (i.e., restaurantes, hotéis, cabeleiros, lavandarias, talhos e estações de serviço).

Custo de instalação (i.e., água, energia eléctrica e ligação ao gás).

Quando o produto tiver sido devolvido por ter sido fornecida informação incorrecta pelo vendedor com respeito às características e uso do produto.

Chamada de assistência ou para serviço para:

- Correção de qualquer instalação inadequada;
- Informação ao consumidor sobre utilização própria do produto;
- Transporte do electrodoméstico para a oficina de serviço;
- Se não for encontrada qualquer avaria (em caso de falhas funcionais reivindicadas pelo consumidor e não detectadas durante a

- inspecção feita pelo técnico, a reparação será cobrada ao consumidor);
- Manutenção periódica ou limpeza do filtro da água, filtro da bomba ou filtro das condutas de ar;
- Remoção dos parafusos de fixação para transporte;
- Fixação dos pés e colocação dos bicos de gás.

Os custos das chamadas para os serviços supracitados serão cobrados ao consumidor.

Em circunstância alguma será a KIC responsável por quaisquer danos consequentes, directa ou indirectamente, previsíveis ou imprevisíveis, resultantes de uso ou manutenção impróprios do electrodoméstico, bem como quaisquer danos resultantes do não cumprimento das instruções para utilização do electrodoméstico.

Terminado o prazo de garantia, todas as reparações serão inteiramente cobradas ao consumidor.

INSTRUÇÕES PARA DESCARTE

O Pentano-C é usado como agente insuflador da espuma isoladora e é um gás inflamável. Preste atenção especial nas operações de descarte.

Apesar de terem sido envidados todos os esforços para assegurar que a informação aqui contida está correcta, a KIC não pode ser responsabilizada por quaisquer erros ou omissões.

FR

AVANT L'UTILISATION DE L'APPAREIL

Appareils avec de l'isobutane (R600a): l'isobutane est un gaz naturel qui n'a aucun impact négatif sur l'environnement, mais il est inflammable. Il faut donc veiller à ce que les tuyaux du circuit frigorigène ne soient pas endommagés.

NE PAS ENDOMMAGER les tuyaux du circuit frigorigène de l'appareil.

Cet appareil n'est pas destiné à être utilisé par des personnes (enfants inclus) qui ont des capacités physiques, sensorielles ou mentales réduites ou qui manquent d'expérience ou de connaissances, à moins d'avoir été formées et encadrées pour l'utilisation de cet appareil par une personne responsable de leur sécurité.

Les enfants doivent être surveillés afin de s'assurer qu'ils ne jouent pas avec l'appareil.

CONSIGNES DE SECURITE POUR L'UTILISATION DE L'APPAREIL

- Ne pas éclabousser de l'eau sur l'appareil.
- Ne pas entreposer de vivres ou de boissons dans des récipients en verre dans le compartiment congélateur.
- Ne pas utiliser l'appareil près de gaz inflammables.
- Ne pas entreposer de liquides chimiques corrosifs dans l'appareil.
- Ne pas utiliser de pulvérisateurs inflammables près de l'appareil quand il fonctionne.
- Ne pas placer de composants chimiques volatils comme de l'éther ou du benzène dans le réfrigérateur.
- Ne pas utiliser ou placer des appareils électriques dans les compartiments de l'appareil s'ils ne sont pas d'un type expressément autorisé par le fabricant.

Suivre toutes les instructions pour l'installation, l'entretien, le nettoyage, la mise en marche et le dégivrage de vos appareils.

Si vous voulez garder de la glace dans le congélateur dans un récipient autre que les bacs à glace fournis, veillez à ce que le récipient soit étanche.

Pour éviter que des vivres ne sèchent ou que des odeurs ne s'accumulent dans votre appareil, veillez à les placer dans des sacs étanches.

Lors du transport de votre réfrigérateur ou de votre congélateur coffre, veillez à le maintenir en position verticale – NE PAS LE PLACER sur le côté.

INSTRUCTIONS D'INSTALLATION

Votre réfrigérateur doit être placé afin d'avoir une bonne ventilation sur tous les côtés. Les espaces de ventilation ci-dessous sont recommandés (voir schéma 1) :

300mm	Au dessus
80mm	A l'arrière
40mm	De chaque côté

Il est conseillé de veiller à placer votre appareil sur une surface plane. Ceci peut se faire en ajustant les pieds de mise à niveau qui se trouvent sous l'appareil au coin droit et gauche à l'avant de l'appareil (voir schéma 2).

Veiller à incliner l'appareil vers l'arrière (en ajustant les pieds à l'avant) pour aider la fermeture de la porte. La porte NE se ferme PAS toute seule car ce n'est pas une porte automatique.

Lors de l'installation d'un congélateur coffre, placer l'appareil dans un endroit bien ventilé. Cet appareil ne peut pas être encastré.

Si possible, éviter de placer l'appareil en plein soleil ou à proximité d'autres sources de chaleur, p.ex. Un four, une cuisinière ou un réchaud.

NE PAS PLACER l'appareil dans un endroit humide car cela peut en affecter son isolation.

NE PAS FAIRE FONCTIONNER l'appareil près de gaz inflammables, ou de l'exposer à des composants chimiques corrosifs. NE PAS PLACER de ces composants dans votre réfrigérateur.

Veiller à ce qu'il soit possible de couper le courant électrique en le débranchant à la prise de courant.

COMMENT FAIRE FONCTIONNER VOTRE REFRIGERATEUR

- Vérifier d'abord que votre alimentation électrique corresponde aux spécifications requises. Brancher ensuite l'appareil sur une prise 220V – 240V reliée à la terre, et allumer. Toujours utiliser une prise indépendante sans interrupteurs (voir schéma 3).
- S'il faut allonger le câble de courant, veiller à utiliser un câble tripolaire dont la longueur ne doit pas dépasser 1,5 mètres.
- Régler le thermostat réglable à un point entre 1 et 7 (thermostat/boîtier) (voir schéma 4).
- Faire fonctionner le réfrigérateur pendant 24 heures avant d'y placer des aliments.
- Approvisionner votre appareil et ajuster la température si nécessaire (1 étant le plus chaud et 7 étant le plus froid).
- Ne pas placer d'articles contre le panneau arrière du réfrigérateur (voir schéma 5).
- La température recommandée pour votre réfrigérateur se situe à 4. Ajuster la température à plus froid que celle recommandée n'accéléra pas le refroidissement des compartiments. Si vous y placez des aliments avant que le réfrigérateur n'ait complètement refroidi, vos aliments risquent de se gâter.

Si le câble d'origine est endommagé, il doit être remplacé par le fabricant ou son agent, ou par une personne qualifiée, afin d'éviter tout risque.

COMMENT ENLEVER ET REPLACER LE RESERVOIR D'EAU

- Enlever la plaquette située au-dessus du réservoir d'eau (voir schéma A).
- Soulever simplement et retirer (voir schéma B).
- Soulever le réservoir d'eau aux deux bouts (voir schéma C).
- Maintenir la porte du réfrigérateur immobile, incliner légèrement le fond du réservoir d'eau et le retirer. Cela pourra paraître rigide les premières fois, mais cela se relâchera avec le temps (voir schéma D).
- Incliner le réservoir d'eau avec le couvercle vers la porte du réfrigérateur en plaçant le clapet (voir schéma E.1) dans l'orifice prévu (voir schéma E).
- Remettre le réservoir d'eau en place (voir schéma F).
- Veiller à ce que le réservoir d'eau soit bien en place, sinon l'eau risque de couler (voir schéma G).
- Remettre la plaquette au-dessus du réservoir d'eau (voir schéma H).

DEGIVRAGE DU CONGELATEUR

Effectuer le dégivrage au moins 3 fois par an, selon :

- l'emplacement du congélateur et l'humidité de son environnement;
- l'usage de l'appareil en fonction de la fréquence et de la durée de l'ouverture de la porte;
- l'accumulation de glace sur les serpentins du congélateur.

Pour dégivrer votre congélateur

(Voir les schémas 6.1 à 6.8)

- Débrancher le courant électrique.
- Retirer tous les aliments, paniers et autres éléments mobiles du congélateur.
- Garder la porte ouverte du congélateur et placer un bol rempli d'eau chaude à l'intérieur du congélateur pour accélérer le processus de dégivrage.
- IMPORTANT – ne pas essayer d'ébrécher ou de casser la glace accumulée avec un outil en métal ou en plastique.
- Lorsque la glace aura fondu et l'eau enlevée, nettoyer et sécher le compartiment du congélateur.
- Remettre tous les éléments mobiles.
- Rebrancher le courant électrique et laisser fonctionner l'appareil pendant environ deux heures avant de l'approvisionner.
- Remplir le congélateur.

NE PAS UTILISER de moyens mécaniques, électriques ou chimiques autres que ceux recommandés par le Fabricant pour accélérer le processus de dégivrage.

COMMENT NETTOYER VOTRE CONGELATEUR ET EN PRENDRE SOIN

Toujours débrancher le courant électrique avant de nettoyer. Placer le thermostat sur « 0 » n'arrête pas le courant électrique.

- Toujours maintenir la propreté à l'intérieur et à l'extérieur de l'appareil afin d'éviter la formation de bactéries et d'odeurs.
- Avant de débrancher le courant et de nettoyer le compartiment intérieur, enlever tous les aliments du réfrigérateur.
- Toujours utiliser une éponge douce ou un chiffon doux. Ne jamais utiliser de tampons métalliques, de brosses ou de produits abrasifs ou de solutions alcalines.
- A l'installation et pour le dégivrage, utiliser un produit doux de nettoyage, ou 2 cuillères de bicarbonate de soude diluées dans 250ml d'eau chaude pour nettoyer votre réfrigérateur/congélateur de la manière suivante :

A l'intérieur

- NE PAS LAISSER d'eau pénétrer dans le boîtier de l'ampoule et du thermostat (voir schéma 4).
- Nettoyer tous les éléments dans le réfrigérateur – les étagères mobiles, les paniers, etc.
- Rincer avec de l'eau chaude et sécher.
- N.B. : Toujours veiller à ce que la gouttière, à l'intérieur du cabinet à l'arrière, soit propre (voir schéma 7). Cela peut se faire en versant une tasse d'eau tiède dans la gouttière. Si cette eau ne s'évacue pas, appeler votre Centre de Services le plus proche pour d'autres instructions.

A l'extérieur

- Nettoyer à l'aide d'un détergent non abrasif.
- Brosser le condensateur (le panneau derrière) pour prévenir l'accumulation des poussières qui peu affecter le fonctionnement du congélateur (voir schéma 8).

REFRIGERATEUR

Réglage du Thermostat

Cet appareil est conçu pour fonctionner des trois façons: soit comme frigidaire, un réfrigérateur ou un congélateur. Pour régler le Thermostat selon votre besoin spécifique, simplement adapter le bouton en utilisant le tourne-vice ou une pièce au réglage approprié (voir 9). La température dans le coffre peut être réglée en tournant légèrement le bouton à gauche ou à droite à chaque fonction, gauche pour diminuer la température (réchauffer) et droite pour augmenter la température (refroidir). Le régulateur du congélateur peut être trouvé dans la paroi de l'appareil à coté de l'ouverture (voir 10).

Usage de l'appareil comme Frigidaire

Au réglage du réfrigérateur dans le cadran, la température dans le coffre peut varier de -2°C à 5°C selon que l'appareil est vide ou rempli. Cette température est idéale pour emmagasiner les aliments périssables tels que les produits laitiers, les légumes fraîches, viandes froides et les restes. Les boissons peuvent aussi être gardées à cette température afin de s'assurer qu'elles sont rafraichies lorsque servies.

Usage de l'appareil comme Réfrigérateur

Au réglage du Frigidaire dans le cadran, l'appareil peut être comparé avec l'équipement de refroidissement du boucher. La température dans le coffre peut varier de -4°C à -12°C selon que l'appareil est vide ou rempli. L'avantage est que les aliments peuvent être préparés sans être dégivrés. Les aliments gardés au réglage du réfrigérateur dégagent l'eau et vont conserver leurs fibres naturelles. De fois, il ne pas désirables de congeler une viande hachée, puisque une certaine saveur pourrait être perdue durant le refroidissement. Au réglage du Frigidaire la viande pourrait être préparée comme si s'était fraîche et les morceaux pourraient être enlevés sans dégellement, pendant que l'autre partie pourrait être réfrigérée pour être utilisée à une autre occasion.

Usage de l'appareil comme Congélateur

La température pourrait aller de -18°C à -23°C selon qu'il est vide ou rempli. Ce réglage est idéal pour congeler les aliments périssables pendant des longues périodes. Voir au manuel de congélation à l'intérieur de pochette se trouvant sur la partie interne du battant.

Ce produit est conçu pour l'usage domestique uniquement

Si l'appareil est utilise comme congélateur, il va nécessiter qu'il soit dégelée périodiquement (voir la section sur dégivrer). Au cours de l'opération de congeler ou de rafraichir, il pourrait s'accumuler graduellement la condensation (gouttelette d'eau) dans le fond du coffre. Ceci est normal et l'eau peut être essuyée et enlevée à tout moment ca devient excessif. Note : le coffre exige le dégellement avant de changer de congélateur au réfrigérateur ou au rafraichissement.

MANUEL D'EMMAGASINAGE POUR CONGELATEUR

- **FONCTIONNER LE CONGELATEUR 24 HEURES AVANT CHARGEMENT.**
- Si vous chargez en gros dans le congélateur, chargez un quart à un moment et permettez-le de congeler avant de charger l'autre quart.
- Divisez les aliments en portions raisonnables selon vos besoins.
- Permettez aux aliments de réfrigérer avant de les placer dans le congélateur.
- Enfermez tous les aliments, ou placez dans un centenaire hermétiquement fermé afin de permettre la prévenir la déshydratation.
- Rappelez-vous le manuel du congélateur à l'intérieur du panneau de la portière. N'excéder pas la date de péremption.

SOLUTION AU PROBLEME

L'ON N'A PAS BESOIN DE TECHNICIEN POUR TOUT GENRE PANNE

Si toutefois, après avoir suivi tous les éléments sur la liste de contrôle, vous n'êtes pas satisfaits du fonctionnement de votre appareil, contactez s'il vous plait le centre de liaison de KIC le plus proche (voir l'arrière couverture).

Si le réfrigérateur ne refroidit pas assez

- Vérifier que le battant est bien fermé.
- Ajuster le bouton du contrôle de la température.
- Vérifier que l'électricité est connectée et allumée.
- Vérifier le tableau principal du circuit électrique de toute la maison afin de vous assurer que le bouton de coupure n'a pas sauté.
- S'assurer que l'appareil a l'abri des rayons solaires et de toute source de chaleur, ex micro-onde, cuisinière, fourneau, etc.
- S'assurer que l'appareil est régulièrement dégelé.
- Vérifier que les rayons excessivement charges n'empêchent pas la circulation d'air

Au cas où le réfrigérateur fait plus de bruit

- Contrôler l'espacement autour de l'appareil.
- Ajuster les pieds jusqu'à ce que l'appareil se stabilise et soit bien tenu.
- Contrôler les tuyaux à l'arrière du réfrigérateur qui pourraient soit s'entre toucher ou toucher le mur.

- Notez s'il vous plaît: Il est normal d'entendre les bruits qui proviennent du réfrigérateur/ gaz pendant son fonctionnement tels que,
 - o Battements-compresseur s'ajustant pour obtenir la performance optimale.
 - o Sifflements/ Crépitements- écoulement du réfrigérant ou des articles au dessus du réfrigérateur.
 - o Bouillonnement- goutes d'eau sur le chauffage pendant le processus de dégivrement.
 - o Eclatement- expansion des murs internes particulièrement pendant la période de refroidissement.
 - o Ecoulement d'eau- cela pourrait être entendu pendant que la glace est entrain de fondre, et l'eau entrain de couler dans le réservoir.

S'il y a de l'eau qui s'amasse dans le cul du réfrigérateur

- Vérifier qu'aucun aliment ne touche le panneau derrière le réfrigérateur.
- S'assurer que la gouttière d'eau est nettoyée.
- S'assurer que le réfrigérateur est incliné en arrière pour aider avec la fermeture de la portière. La portière ne se ferme pas sans assistance.

S'il y a accumulation intérieure de l'humidité

NOTE: certaine accumulation de l'humidité est normale.

- Un endroit humide contribue à l'accumulation de l'humidité.
- Une portière souvent ouverte ou laissée ouverte permet à l'air humide d'entrer dans le congélateur. Door(s) opened often or left open allows humid air to enter the refrigerator. Minimiser le nombre d'ouvertures de la portière et garder les portières complètement fermées.

Si la lumière ne marche pas

- Vérifier si l'alimentation de l'électricité est connectée et allumée.
- L'ampoule peut être desserrée ou explosée.

Remplacement d'ampoule

- Eteindre l'électricité au mur.
- Débrancher le rallonge de la prise au mur.
- Deviser (dans le sens contraire de l'aiguille de la montre) et remplacer l'ampoule par une nouvelle (n'excédant pas 15 watt).
- Il est recommandé de ne jamais tenter d'enlever le thermostat à l'intérieur ou de vouloir réparer en faisant de vous-même des plaies sur le fils.
- (Voir schéma 1).

CONSEILS POUR CONSERVER L'ÉNERGIE

- Installer l'appareil dans un endroit sec, bien aéré loin de toute source de chaleur (ex: cuisinière) et dans un lieu non exposé aux rayons de soleil.
- Pour assurer une ventilation suffisante, laisser un espace sur l'un et l'autre coté et au-dessus de l'appareil.
- La distance entre derrière l'appareil et le mur doit être de 80mm.
- Ventilation insuffisante dans le dos du produit augmente la consommation de l'énergie abaisse la capacité du refroidissement.
- La température intérieure de l'appareil peut être affectée par la température ambiante, la fréquence d'ouvrir les portières, ainsi que l'emplacement de l'appareil. Le réglage de la température prend ses faits en considération.
- Permettre aux aliments et boissons chauds de refroidir avant de les placer dans l'appareil.
- Tout le temps vérifier si les portières sont correctement fermées après l'ouverture, surtout la portière du congélateur.
- Minimiser la fréquence d'ouverture des portières.
- Lorsque dégelant les aliments congelés, place ça dans le réfrigérateur. La faible température des aliments congelés aide le refroidissement des aliments dans le réfrigérateur.
- Le placement des étagères dans le réfrigérateur n'a pas d'impact dans la consommation de l'énergie.
- Les aliments devraient être placés dans les étagères d'une manière à assurer une bonne circulation de l'air. (Les aliments ne doivent pas se toucher et la distance entre les aliments et l'arrière du mur du frigo doit être maintenue.)
- Vous pouvez augmenter la capacité de stockage du congélateur en enlevant les corbeilles du congélateur.
- Le condensateur (la bobine placée derrière l'appareil) doit être nettoyé régulièrement.
- Les joints endommagés ou ayant des fuites doivent être remplacés au plus vite que possible.

GARANTIE

DUREE & COUVERTURE

KIC offre une pleine garantie à partir de la date originale d'achat, faite par un réseau de service de partenaires qualifiés et engagés sur toute l'étendue du pays. Toute pièce de fonction qui tombe en panne dans un usage domestique normal sera réparée ou remplacée, après qu'un constat complet ait été conduit par un partenaire de service autorisé, et cela sans aucune charge, la pièce incluse elle-même et les coûts de travail. La preuve d'achat (reçu), les numéros de modèle et de série sont requis pour l'obtention d'un service gratuit de la garantie.

PERIODE DE GARANTIE

Les pays suivants vendent 2 ans de garantie:

Afrique du Sud	Swaziland
Botswana	Lesotho
Namibie	

Les pays suivants vendent 1 an de garantie:

Zambie	Uganda	Burundi
Zimbabwe	RD Congo	Madagascar
Mozambique	Rép du Congo	Seychelles
Angola	Gabon	Mauritanie
Malawi	Guinée Equatoriale	Mayotte
Tanzanie	Nigeria	Comores
Kenya	Rwanda	Cameroun

LES EXCEPTIONS DE LA GARANTIE

Conditions et dommages résultant d'un des cas suivant:

- Installation incorrect, livraison et maintenance (ex. Filtre de nettoyage de la pompe);
- Réparation facultative, modification, altération ou adaptation non-autorisée par le fabricant;
- Mauvais usage, abusif, accidents ou usage irraisonnable;
- Courant électrique anormal, voltage ou approvisionnement;
- Endommagements causés par les variations du voltage ou par la foudre;
- Réglages incorrects de tout régulateur;
- Le produit précédemment réparé par un Partenaire de Service non-autorisé.

Dommages sur les pièces esthétiques due au transport et mouvement (ex. entaille, égratignures) **ne sont pas couvertes par la garantie.**

Pièces esthétiques (ex. leviers, lampes, verres, matières plastiques).

Ampoules lumineuses, filtre à eau, filtre à air, filtre à carbone, tuyau en caoutchouc.

Les accessoires et la vitre sont optionnels (ex., rayons, assiettes).

Les produits à usage non domestique ou placés dans les milieux commerciaux (ex., restaurants, hôtels, coiffeurs, buanderie, boucherie et station service).

Coûts d'installation (ex., eau, connections de gaz et de courant électrique).

Retour du produit à un lieu due à une information incorrecte fournit par le vendeur par rapport aux éléments et à l'usage du produit.

Assistance ou appel au service:

- Corriger toute installation incorrecte;
- Instruire le consommateur sur l'usage correct du produit;
- Transporter l'appareil pour le service à l'atelier;
- Pas de panne trouvée (dans le cas de pannes revendiquées par le consommateur et pas trouvées au cours d'un control technique, la réparation sera mise sur la charge du consommateur);
- Maintenance périodique ou le nettoyage du filtre d'eau, filtre de pompe et filtre de conduit d'air;
- Enlèvement de transport ou placement des vices;
- Ajuster les pieds et ajuster le bec du gaz.

Le cout du service ci-haut mentionné sera mis à charge du consommateur.

En aucun cas KIC pourrait être tenu responsable de toute conséquence, soit direct ou indirect, dommages soient prévus ou imprévus, résultant d'un usage incorrect ou maintenance de l'appareil aussi bien pour tout dommage conséquemment à la non-observation des instructions d'usage de l'appareil.

Après la période de garantie, toute réparation sera complètement mise à charge du consommateur.

INSTRUCTION DE DISPOSITION

C-Pentane est un gaz flammable utilisé comme agent de soufflement pour la mousse d'isolation. Faites attention pendant les opérations de dispositions.

Pendant que tout effort est effectué pour assurer que l'information contenue dans ce document est correcte, KIC ne peut être tenu responsable d'aucune erreur ou omission.

CONTACT US

South Africa Customer Care Centre

Tel: 0860 884 402

Fax: 0860 884 407

E-mail: za_service@whirlpool.com

For after sales service in South Africa, please contact our Customer Care Centre on the details supplied. For all other markets, kindly contact the store where your purchase was made.

CONTACTE-NOS

Para serviço pós-venda na África do Sul, deve contactar o nosso Centro de Atendimento ao Cliente através dos contactos fornecidos. Em todos os outros mercados, é favor contactar a loja onde comprou o produto.

CONTACTEZ-NOUS

Pour le service après-vente en Afrique du Sud, veuillez contacter notre centre de service à la clientèle aux coordonnées indiquées. Dans tous les autres pays, veuillez contacter le détaillant chez qui vous avez effectué l'achat.

